



## INCLUDED *cruise features*

- » Spacious accommodations in riverview stateroom or suite – most staterooms offer twin balconies
- » Entertainment-On-Demand in all staterooms featuring free high-speed internet access, movies, a music library and English-language TV stations
- » Fine dining, including unlimited complimentary hand-selected wines, beer and soft drinks with lunch and dinner on board
- » Sip & Sail cocktail hour with complimentary wine, beer, spirits and soft drinks
- » Welcome Cocktail, Welcome Dinner, La Chaîne des Rôtisseurs Dinner, Captain's Cocktail and Gala Dinner
- » Complimentary Wi-Fi access on board
- » Guided shore excursions in every port including Special Interest Tours and biking tours
- » Onboard live entertainment, theme dinners and more
- » Complimentary bicycles and helmets
- » Professionally trained Wellness Host, providing a variety of exercise classes
- » Services of a professional Cruise Manager

## TULIP TIME

March 27 - April 3, 2020

Enjoy a 7-night cruise roundtrip from Amsterdam

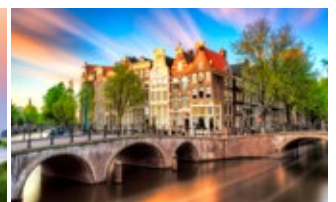
DAY	DESTINATION	ACTIVITIES
Mar 27	Amsterdam	EMBARKATION
Mar 28	Amsterdam Hoorn	The IJsselmeer scenic cruising Tulips and bulb fields OR Hoorn walking tour and Dutch East India museum OR Dutch countryside bike tour
Mar 29	Delta Middelburg	Scenic cruising Middelburg walking tour OR Delta Works visit OR Middelburg Bike ride
Mar 30	Ghent	Highlights of Ghent and Bruges OR Ghent walking tour & free time OR Belgian chocolate workshop OR Full-day Bruges and Church of Our Lady
Mar 31	Antwerp	Walking tour and Cathedral visit OR Rubens House OR Antwerp bike tour Belgian chocolate, beer and waffle tasting OR Floralia Flower Show
Apr 1	Rotterdam Kinderdijk Schoonhoven	Rotterdam walking tour and Tastes of Rotterdam OR Delfshaven excursion OR Rotterdam architectural bike tour OR "The Best of Delft" excursion Kinderdijk UNESCO Windmills OR Kinderdijk bike tour Free evening
Apr 2	Amsterdam	Keukenhof Gardens excursion Amsterdam canal cruise
Apr 3	Amsterdam	DISEMBARKATION

Itinerary subject to change



Celtic Hearts Travel  
www.celticheartstravel.com

Dervila Stivers  
239-464-9014  
dervila@celticheartstravel.com



**BOOK BY JULY 31, 2019 AND SAVE \$500 PER PERSON ON CRUISE FARE**  
**7-NIGHT CRUISE ABOARD THE AMASERENA from ~~\$2,899~~ \$2,399 per person**

**Terms & Conditions:** All rates are per person in USD for cruise only, based on double occupancy in a Category E stateroom. To upgrade to a higher category, please ask for details. Rate reflects \$500 savings off cruise fare per person for new bookings made by July 31, 2019 and is not combinable with group discount which will apply after promotion expires. Unless explicitly stated that single supplement is waived, solo travelers in a double occupancy stateroom must pay an additional single supplement amount before receiving any discounts. Offer is not combinable with any other promotions/discounts, limited to availability, capacity controlled and subject to change or termination without notice. Port charges, optional land programs, airfares, and gratuities are additional. Other restrictions apply. **Travel Protection is available; please ask your travel advisor about your protection options or contact your local provider.** AmaWaterways reserves the right to revise any errors on the flyer; itinerary subject to change. Registration as a seller of travel does not constitute approval by the State of California. CST#2065452-40. V19JUN05SI

**CANCELLATION CHARGES:** In the unfortunate event a participant must cancel travel, notice to AmaWaterways must be via email, which must include a return receipt and read notation, or other writing stating clearly and correctly each guest's name, ship name, start and end date of the cruise and a brief statement of the reason for cancellation. Other forms of notice are not sufficient. The effective date of the cancellation is the date we receive the written cancellation notice. A name change or substitution of participant is also treated as a cancellation in that all cancellation charges apply. Cancellation charges are per-person, based on the cancellation date, as follows: after Group Review Date and up to 121 days before departure: \$200 loss of deposit; 120-90 days before departure: \$400 loss of deposit; 89-60 days before departure: 35% of cruise and land price; 59-30 days before departure: 50% of cruise and land price; 29-7 days before departure: 80% of cruise and land price; 6 days or less before departure: 100% of cruise and land price. Deposits for A+, AA+ and Suites are non-refundable. Protection plan premiums are non-refundable. After travel begins, there is no refund for unused services, or unused portions of cruise, cruise/tour or airfare.

**PASSPORT AND VISAS:** A valid passport is required for each participant. Passports must be valid for at least six (6) months after the scheduled return date to the USA. For travel to Vietnam and Cambodia, we require a copy of your valid passport prior to or at final payment. If not received in this time, embarkation may be denied and cancellation penalties will apply. For travel to Africa, a valid passport with 8 open/non-stamped pages is required. At publication time, a visa is required for a US citizen to travel to Vietnam, Cambodia, Kenya, Tanzania and Zimbabwe (as well as numerous other countries). A non-US citizen must consult appropriate consulates regarding visa and other document requirements. Obtaining required visas and any other required travel documentation, and assuring these are complete and correct in all ways, is the sole responsibility of each participant. We are not in a position to obtain or verify the accuracy or completeness of any participant's visa or other required documentation and shall not be responsible or liable for delay or missed portion of any cruise or cruise tour or other problems resulting from the participant lacking the appropriate travel documentation.

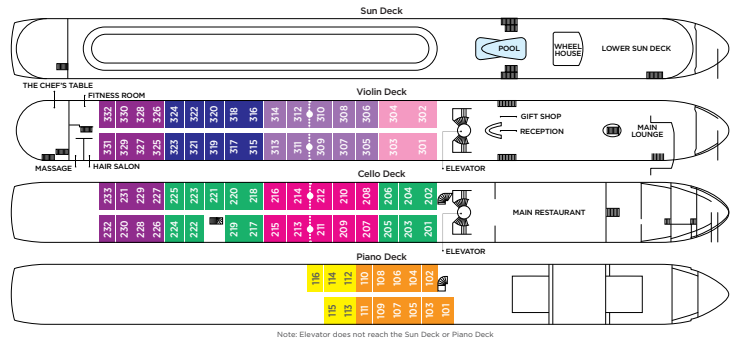
**PRICES DO NOT INCLUDE:** Published prices do not include vessel fuel surcharges; passport and visa fees; baggage fees; port charges, port taxes and fees; travel, health, accident or other insurance; vaccinations; laundry; additional food and beverages; optional excursions; gratuities or other items or services of a personal nature.

**DISCLAIMER OF RESPONSIBILITY:** Our arrangements are with AWL, and they arrange with others for services described in this brochure. Transport on river cruise ships ("ships") or other forms of transport ("transport") is provided by third party owners, operators and charterers ("supplier(s)"). Suppliers are separate entities and are deemed not to be principals, agents, employees or partners of us or AWL. We and AWL do not own or operate any ship or transport service. Accordingly, FOR US AND AWL WE DISCLAIM RESPONSIBILITY AND LIABILITY FOR, AND PARTICIPANT WAIVES, RELEASES AND ACKNOWLEDGES THAT THERE SHALL NOT BE ANY CLAIM OR RECOURSE AGAINST US OR AWL FOR OR AS A CONSEQUENCE OF: BREACH OF DUTY, BREACH OF CONTRACT, NEGLIGENCE OR WILLFUL OR INTENTIONAL ACT, FAILURE TO ACT OR OMISSION BY ANY SUPPLIER. Supplier and participant obligations and liabilities are subject in each case to terms and conditions of each supplier's contract of carriage or other supplier terms and conditions, and any and all applicable government laws and regulations and international conventions that apply, including, but not limited to choice of law, jurisdiction of disputes and limitations of liability and limitations on timing of claims. PARTICIPANT AGREES THAT WE AND AWL SHALL NOT BE LIABLE FOR ANY DAMAGE, LOSS (INCLUDING PERSONAL INJURY, DEATH, AND LOSS OF OR DAMAGE TO PROPERTY) OR EXPENSE OCCASIONED BY ANY ACT OR OMISSION OF ANY SUPPLIER PROVIDING SERVICES, OR ANY PROVIDER OF A TRAVEL PROTECTION PLAN, OR INSURER, OR OF ANY OTHER PERSON. If the services

of a supplier cannot be delivered or there are changes in any planned service for any reason beyond our control, we will make an effort to arrange similar services. Any resulting additional expenses will be participant's responsibility.

**LIMITATION OF LIABILITY:** REGARDLESS OF ANY OTHER PROVISIONS IN THIS BROCHURE, OUR AND AWL'S LIABILITY FOR BREACH, DAMAGE, LOSS, PERSONAL INJURY, DEATH, AND/OR LOSS OF OR DAMAGE TO PROPERTY, OR OTHER LOSS, INJURY OR DAMAGE, ALSO INCLUDING, BUT NOT LIMITED TO, ECONOMIC DAMAGES, EMOTIONAL DISTRESS, MENTAL SUFFERING AND/OR PHYSICAL OR PSYCHOLOGIC INJURY, WHETHER OCCURRING BEFORE THE START OF TRAVEL, AFTER TRAVEL HAS BEGUN, AFTER COMPLETION OF THE TRAVEL, OR MULTIPLE TIME PERIODS, AND REGARDLESS OF WHETHER DUE TO ACCIDENTAL OR WILLFUL OR INTENTIONAL ACT OR OMISSION OF ANY PERSON OR ENTITY, OR OTHER CAUSE SHALL NOT EXCEED THE AMOUNT PAID TO US FOR THE TRAVEL.

**CALIFORNIA SELLER OF TRAVEL LAW:** We are registered with the California Attorney General, California Seller of Travel Program as Amadeus Waterways, Inc., registration number CST 2065452-40. Registration as a seller of travel does not constitute approval by the State of California.



Suite	Violin Deck French & Outside Balcony - 300 sq. ft.
Cat. AA	Violin Deck French & Outside Balcony - 235 sq. ft.
Cat. AB	Cello Deck French & Outside Balcony - 235 sq. ft.
Cat. BA	Violin Deck French & Outside Balcony - 210 sq. ft.
Cat. BB	Cello Deck French & Outside Balcony - 210 sq. ft.
Cat. C	Violin & Cello Deck French Balcony - 170 sq. ft.
Cat. D	Piano Deck Fixed Window - 160 sq. ft.
Cat. E	Piano Deck Fixed Window - 160 sq. ft.

Cat. AA+ stateroom has no bathtub and other modifications

..... Staterooms separated by a dotted line can become connected upon request

**Technical Data**  
 Built: AmaSerena - 2015  
 Length: 443 ft.  
 Width: 38 ft.  
 Crew: 51  
 Staterooms: 81  
 Passengers: 162  
 Registry: Switzerland

**TULIP TIME**  
 March 27 - April 3, 2020

**Celtic Hearts Travel**  
 www.celticheartstravel.com

**Dervila Stivers**  
 239-464-9014  
 dervila@celticheartstravel.com

Please charge credit card in the amount of \$400 USD per person to secure reservations for \_\_\_\_\_ # of people.

I (We) want to purchase (check one):  Cruise only option  Cruise & land option \_\_\_\_\_

I (We) want to purchase cruise accommodations in cabin category: \_\_\_\_\_

Passport Name: \_\_\_\_\_ Companion's Passport Name: \_\_\_\_\_

Address: \_\_\_\_\_

City: \_\_\_\_\_ State: \_\_\_\_\_ Zip Code: \_\_\_\_\_

Telephone Number: \_\_\_\_\_ Emergency Telephone Number: \_\_\_\_\_

Credit Card (Visa, MC, AMEX, Discover): \_\_\_\_\_ Card Number: \_\_\_\_\_

Expiration Date: \_\_\_\_\_ CVC: \_\_\_\_\_ Amount Charge: \_\_\_\_\_

Name of Cardholder: \_\_\_\_\_ Signature: \_\_\_\_\_

\*All prices listed are in U.S. Dollars.